

RING & BUSHING MOUNTS

Ring and bushing isolators are versatile, low cost mounts that can satisfy many vibration control problems. They are rugged, low-cost isolators easily installed. Ring and bushing mounts are ideal for mounting engines, generators, pumps or other rotating equipment in harsh off-road or industrial applications. They are offered standard in neoprene rubber, other materials are available upon request.

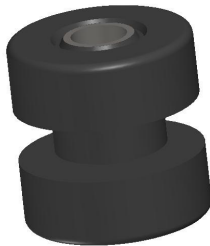
Features:

- Compact, lightweight design
- Fail-safe design when used with snubbing washers
- Efficiently isolates vibration in all directions

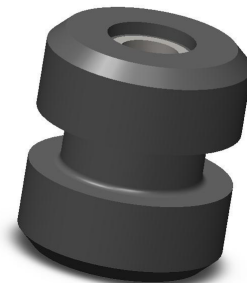
Ring and bushing mounts are available in five sizes with load ratings from 40 to 4,560 lbs.

- 2405 Size: Load ratings from 40 to 300 lb
- 2406 Size: Load ratings from 130 to 630 lb
- 2407 Size: Load ratings from 210 to 1330 lb
- 2408 Size: Load ratings from 270 to 2100 lb
- 2409 Size: Load ratings from 1140 to 4560 lb

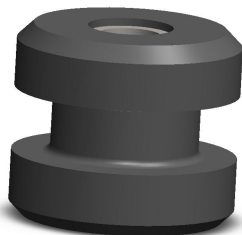
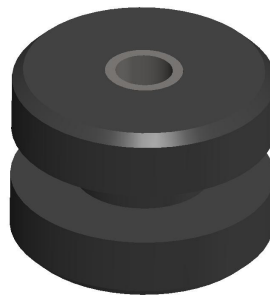
VIB2405



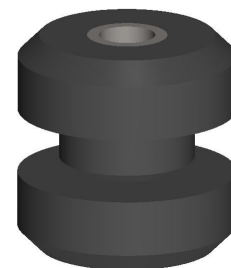
VIB2406



VIB2409



VIB2408

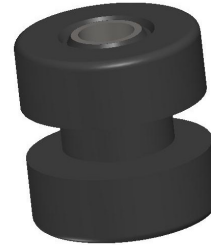


VIB2407

RING & BUSHING MOUNTS VIB2405 SERIES

PRODUCT SPECIFICATIONS

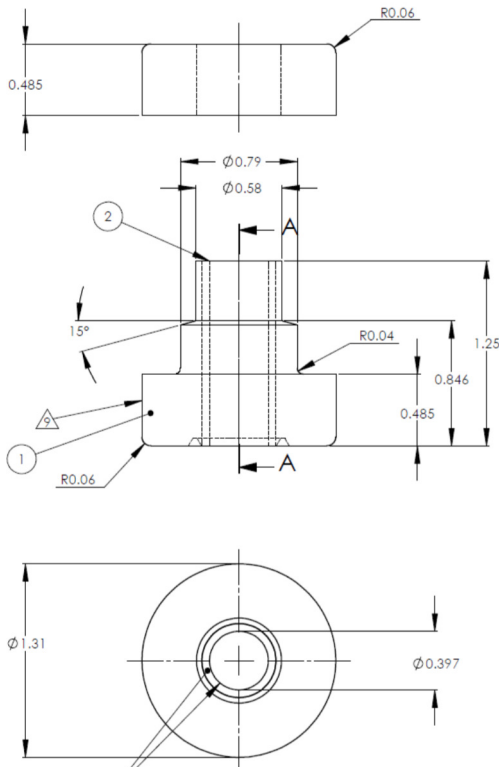
Operating Temperature: -20 to +220 F
 Maximum Transmissibility at Resonance: 10.0
 Load Capacity: 40 – 300 lb
 Axial-Radial Stiffness Ratio: 1:1.5
 Part Weight:
 Materials: Elastomer: Neoprene
 Tube: DOM Tubing, ASTM A513, type V, class 1026
 or equivalent



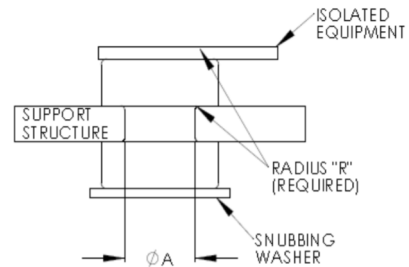
Performance Characteristics

Assembly	Max Axial Load	Axial Natural Frequency	Dynamic Axial Spring Rate		Max Radial Load	Radial Natural Frequency	Dynamic Radial Spring Rate	
	lbs	Hz	lb/in	N/mm	lbs	Hz	lb/in	N/mm
VIB2405-1	40	15	1000	175	20	25	2000	350
VIB2405-2	90		2000	350	30		3100	544
VIB2405-3	140		3000	525	40		4200	737
VIB2405-4	250		5000	877	50		5200	912
VIB2405-5	300		7500	1316	60		6200	1090

*Fn at max rated load and .036 inch DA input
 To correct for loads lower than rated load use:
 $F_n = F_{nn} \sqrt{P_r / P_a}$
 Where:
 Fn: Natural Frequency at actual load (Hz)
 Fnn: Nominal Natural Frequency (Hz)
 Pr: Rated load
 Pa: Actual load



TYPICAL INSTALLATION



Ø A = 0.75
 R = 0.04
 T = 0.375 (Support Structure Thickness)

RING & BUSHING MOUNTS VIB2406 SERIES

PRODUCT SPECIFICATIONS

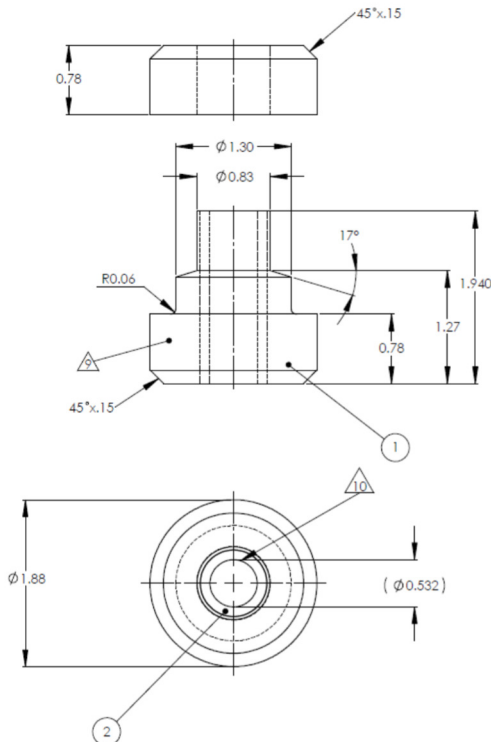
Operating Temperature: -20 to +220 F
 Maximum Transmissibility at Resonance: 10.0
 Load Capacity: 130 – 630 lb
 Axial-Radial Stiffness Ratio: 1:1
 Part Weight: .31 lb
 Materials: Elastomer: Neoprene
 Tube: DOM Tubing, ASTM A513, type V, class 1026
 or equivalent



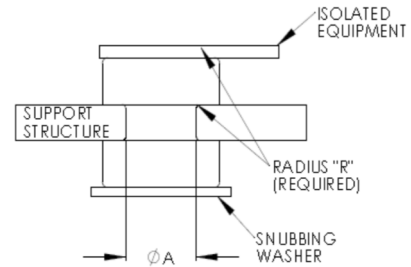
Performance Characteristics

Assembly	Max Axial Load	Axial Natural Frequency	Dynamic Axial Spring Rate		Max Radial Load	Radial Natural Frequency	Dynamic Radial Spring Rate	
	lbs	Hz	lb/in	N/mm	lbs	Hz	lb/in	N/mm
VIB2406-1	130	12	1860	326	50	20	2100	368
VIB2406-2	175		2500	438	65		2800	491
VIB2406-3	240		3400	596	90		4000	700
VIB2406-4	380		5400	947	165		7200	1263
VIB2406-5	630		9000	1579	280		12100	2120

*Fn at max rated load and .036 inch DA input
 To correct for loads lower than rated load use:
 $F_n = F_{nn} \cdot \sqrt{P_r / P_a}$
 Where:
 Fn: Natural Frequency at actual load (Hz)
 Fnn: Nominal Natural Frequency (Hz)
 Pr: Rated load
 Pa: Actual load



TYPICAL INSTALLATION

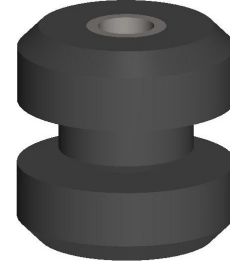


Ø A = 1.25
 R = 0.06
 T = 0.563 (Support Structure Thickness)

RING & BUSHING MOUNTS VIB2407 SERIES

PRODUCT SPECIFICATIONS

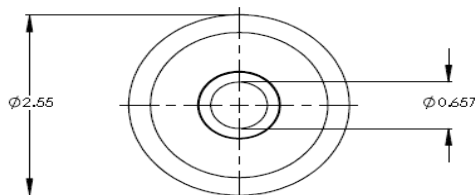
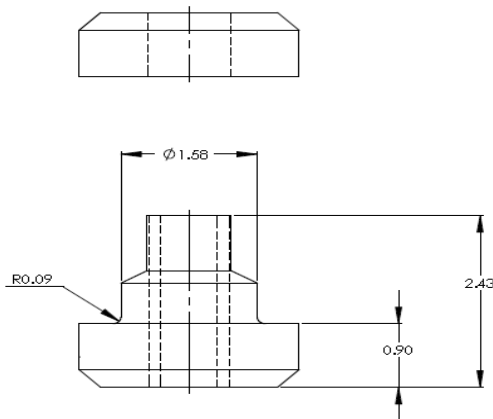
Operating Temperature: -20 to +220 F
 Maximum Transmissibility at Resonance: 10.0
 Load Capacity: 210 – 1330 lb
 Axial-Radial Stiffness Ratio: 1:1
 Part Weight: .69 lb
 Materials: Elastomer: Neoprene
 Tube: DOM Tubing, ASTM A513, type V, class 1026 or equivalent



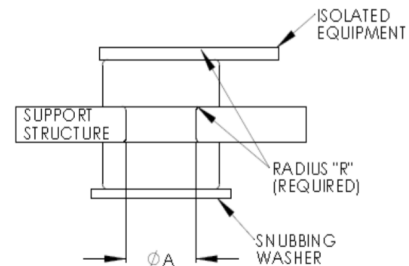
Performance Characteristics

Assembly	Max Axial Load	Axial Natural Frequency	Dynamic Axial Spring Rate		Max Radial Load	Radial Natural Frequency	Dynamic Radial Spring Rate	
	lbs		Hz	lb/in	N/mm		lbs	Hz
VIB2407-1	210	11	2500	439	90	20	2900	510
VIB2407-2	350		4100	720	140		4700	825
VIB2407-3	490		5800	1018	225		7500	1316
VIB2407-4	860		10100	1772	385		12800	2250
VIB2407-5	1330		15600	2737	690		22900	4020

*Fn at max rated load and .036 inch DA input
 To correct for loads lower than rated load use:
 $F_n = F_{nn} \cdot \sqrt{P_r / P_a}$
 Where:
 Fn: Natural Frequency at actual load (Hz)
 Fnn: Nominal Natural Frequency (Hz)
 Pr: Rated load
 Pa: Actual load



TYPICAL INSTALLATION

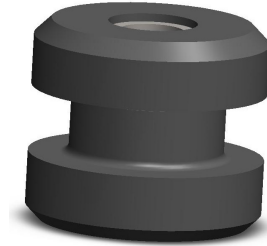


$\phi A = 1.50$
 $R = 0.09$
 $T = 0.875$ (Support Structure Thickness)

RING & BUSHING MOUNTS VIB2408 SERIES

PRODUCT SPECIFICATIONS

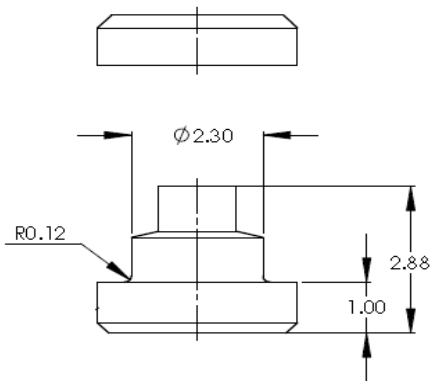
Operating Temperature: -20 to +220 F
 Maximum Transmissibility at Resonance: 10.0
 Load Capacity: 270 – 2100 lb
 Axial-Radial Stiffness Ratio: 1:1
 Part Weight: 1.47 lb
 Materials: Elastomer: Neoprene
 Tube: DOM Tubing, ASTM A513, type V, class 1026 or equivalent



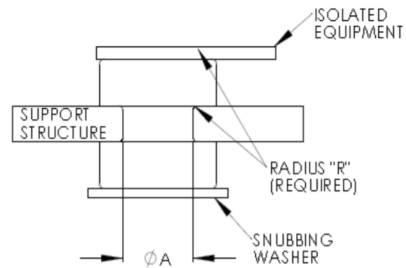
Performance Characteristics

Assembly	Max Axial Load	Axial Natural Frequency	Dynamic Axial Spring Rate		Max Radial Load	Radial Natural Frequency	Dynamic Radial Spring Rate	
	lbs		Hz	lb/in			N/mm	lbs
VIB2408-1	270	10	3000	526	135	15	3200	560
VIB2408-2	510		5700	1000	230		5500	965
VIB2408-3	770		8500	1490	345		8200	1440
VIB2408-4	1170		13000	2280	590		13900	2440
VIB2408-5	2100		23300	4090	975		23200	4070

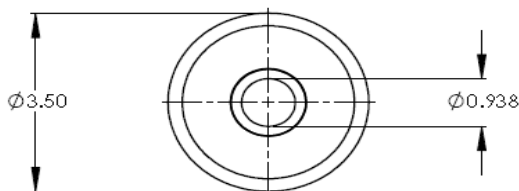
*Fn at max rated load and .036 inch DA input
 To correct for loads lower than rated load use:
 $F_n = F_{nn} \cdot \sqrt{P_r / P_a}$
 Where:
 Fn: Natural Frequency at actual load (Hz)
 Fnn: Nominal Natural Frequency (Hz)
 Pr: Rated load
 Pa: Actual load



TYPICAL INSTALLATION



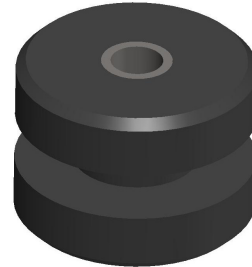
$\phi A = 2.25$
 $R = 0.12$
 $T = 1.125$ (Support Structure Thickness)



RING & BUSHING MOUNTS VIB2409 SERIES

PRODUCT SPECIFICATIONS

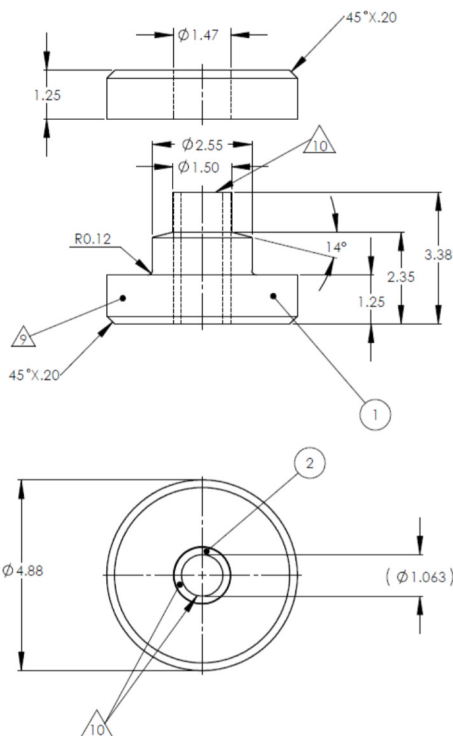
Operating Temperature: -20 to +220 F
 Maximum Transmissibility at Resonance: 10.0
 Load Capacity: 1140 – 4560 lb
 Axial-Radial Stiffness Ratio: 2:1
 Part Weight: 2.88 lb
 Materials: Elastomer: Neoprene
 Tube: DOM Tubing, ASTM A513, type V,
 class 1026 or equivalent



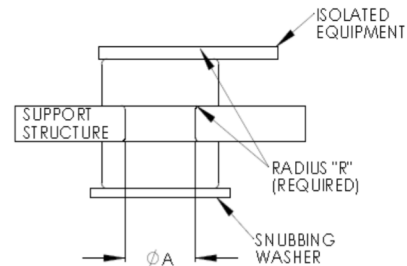
Performance Characteristics

Assembly	Max Axial Load	Axial Natural Frequency	Dynamic Axial Spring Rate		Max Radial Load	Radial Natural Frequency	Dynamic Radial Spring Rate	
	lbs	Hz	lb/in	N/mm	lbs	Hz	lb/in	N/mm
VIB2409-1	1140	10	11400	2000	240	15	5300	930
VIB2409-2	1930		19300	3386	340		7500	1315
VIB2409-3	2580		25800	4526	610		13600	2386
VIB2409-4	3540		35400	6210	890		19700	3456
VIB2409-5	4560		45600	8000	1410		31400	5508

*Fn at max rated load and .036 inch DA input
 To correct for loads lower than rated load use:
 $F_n = F_{nm} \cdot \sqrt{P_r / P_a}$
 Where:
 Fn: Natural Frequency at actual load (Hz)
 Fnn: Nominal Natural Frequency (Hz)
 Pr: Rated load
 Pa: Actual load



TYPICAL INSTALLATION

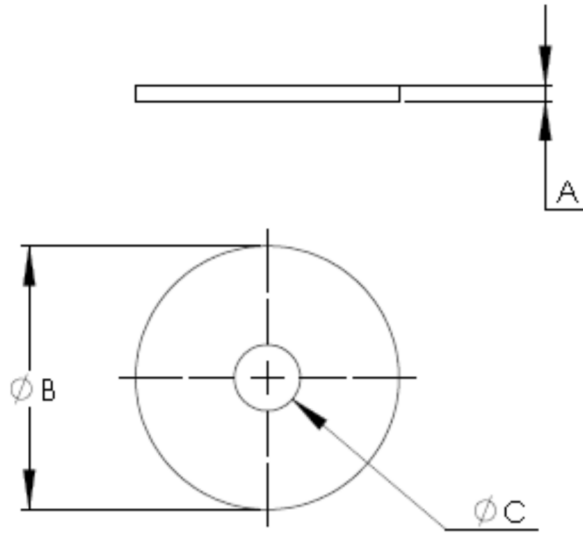


Ø A = 2.50
 R = 0.12
 T = 1.250 (Support Structure Thickness)

SNUBBING WASHERS

PRODUCT SPECIFICATIONS

Material: Steel per ASTM A1008/A1011
 Finish: Zinc plated per ASTM B633, Type II, Class FE/ZN 12



Size	A (Thickness)	B (OD)	C (ID)	PART NO.
VIB2405	.090	1.56	.391	W10044-1
VIB2406	.134	2.13	.532	W10044-2
VIB2407	.188	2.81	.657	W10044-3
VIB2408	.250	3.88	.938	W10044-4
VIB2409	.375	5.25	1.063	W10044-5