

CUP STYLE MOUNTS

Cup style mounts are compact, low profile, extremely rugged mounts suitable for vibration and shock applications in the most severe environments. Their fail-safe, all-attitude construction and a choice of elastomer materials makes them suitable for a wide range of uses. Equipment may be mounted from cup style mounts in any orientation (attitude) while achieving equal shock and vibration performance. Cup style mounts are ideal for applications on military ground vehicles, aircraft, aerospace and electronics racking systems.

Features:

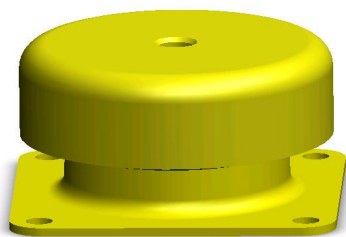
- Fail-safe all attitude design
- Compact, lightweight design
- 1:1 Axial to Radial spring rate
- Gradually increasing spring rate

Cup style mounts are available in two sizes:

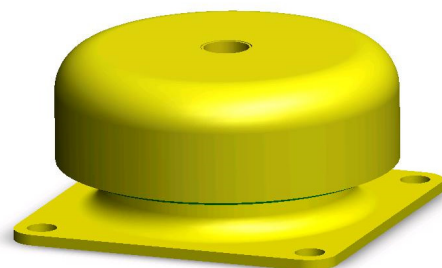
- 1701 size: 4 load ratings from 20 to 100 lb
- 1702 size: 4 load ratings from 50 to 250 lb

Applicable Specifications:

- MIL-STD-810
- MIL-STD-167
- MIL-E-5400
- MIL-M-17185



VIB701



VIB702

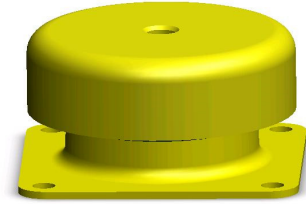
CUP MOUNTS VIB1701 SERIES

PRODUCT SPECIFICATIONS

Operating Temperature: -40 to +180 F (Natural Rubber)
 -67 to +300 F (Silicone)
 -65 to +280 F (Universal)

Maximum Transmissibility at Resonance: 10.0 (Natural Rubber)
 4.0 (Silicone)
 6.0 (Universal)

Load Capacity: 20 – 100 lb
 Axial-Radial Stiffness Ratio: 1:1
 Part Weight: 6 oz. (STL), 3 oz. (AL)
 Materials: Pedestal & Cup: Steel per ASTM A1008, Zinc plated per ASTM B633 Type II, Class SC3
 Core: Steel per ASTM A108, Zinc plated per ASTM B633 Type II, Class SC3

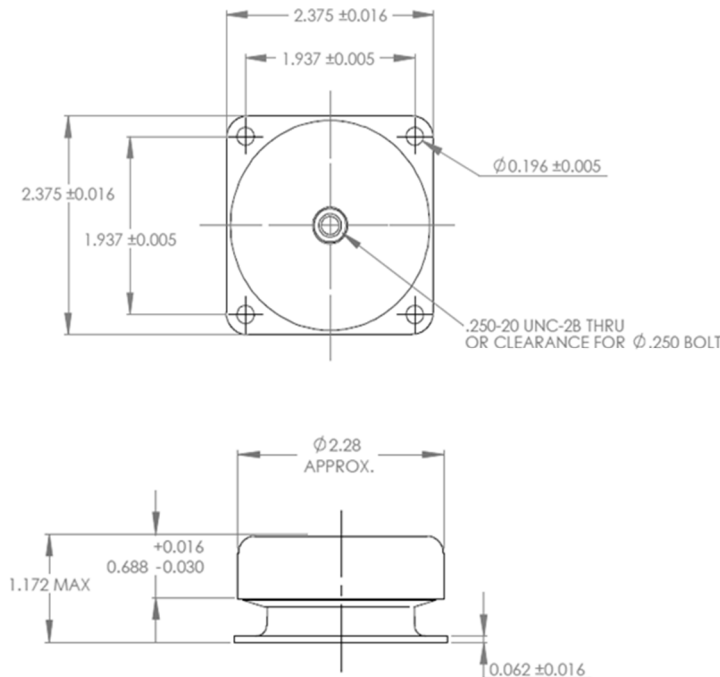


Performance Characteristics

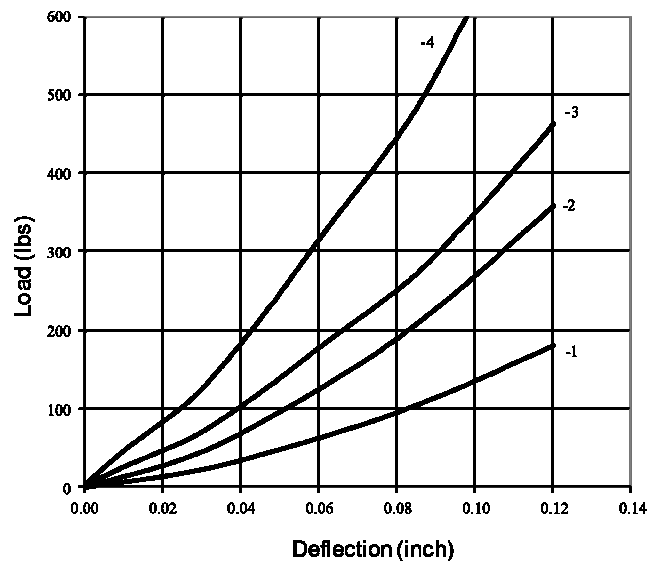
Load Rating Vibration	Load Rating Shock	Part No. Natural	Part No. Silicone	Part No. Universal	Axial Natural Frequency	Dynamic Spring Rate	
					Hz	lb/in	N/ mm
20	14	VIB1701-1	VIB3701-1	VIB5701-1	25	1276	226
30	24	VIB1701-2	VIB3701-2	VIB5701-2		1914	339
70	38	VIB1701-3	VIB3701-3	VIB5701-3		4466	791
100	60	VIB1701-4	VIB3701-4	VIB5701-4		6380	1131

- Threaded versions are indicated with a "T"
 (ex. VIB3701-1T)
- Aluminum versions are indicated with an "L"
 (ex. VIB3701-1TL)

*Fn at max rated load and .036 inch DA input
 To correct for loads lower than rated load use:
 $F_n = F_{nn} \cdot \sqrt{P_r / P_a}$
 Where:
 F_n: Natural Frequency at actual load (Hz)
 F_{nn}: Nominal Natural Frequency (Hz)
 P_r: Rated load
 P_a: Actual load



Typical Load vs. Deflection



CUP MOUNTS VIB1702 SERIES

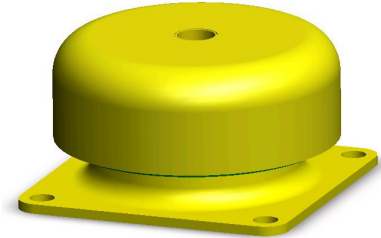
PRODUCT SPECIFICATIONS

Operating Temperature: -40 to +180 F (Natural Rubber)
 -67 to +300 F (Silicone)
 -65 to +280 F (Universal)

Maximum Transmissibility at Resonance: 10.0 (Natural Rubber)
 4.0 (Silicone)
 6.0 (Universal)

Load Capacity: 50 – 250 lb
 Axial-Radial Stiffness Ratio: 1:1
 Part Weight: 1 lb

Materials: Pedestal & Cup: Steel per ASTM A1008, Zinc plated per ASTM B633 Type II, Class SC3
 Core: Steel per ASTM A108, Zinc plated per ASTM B633 Type II, Class SC3



Performance Characteristics

Load Rating Vibration	Load Rating Shock	Part No. Natural	Part No. Silicone	Part No. Universal	Natural Frequency (Vibration)	Dynamic Spring Rate	
					Hz	lb/in	N/mm
50	30	VIB1702-1	VIB3702-1	VIB5702-1	22	2470	438
100	50	VIB1702-2	VIB3702-2	VIB5702-2		4940	876
150	80	VIB1702-3	VIB3702-3	VIB5702-3		7410	1314
250	105	VIB1702-4	VIB3702-4	VIB5702-4		12350	2190

*Fn at max rated load and .036 inch DA input
 To correct for loads lower than rated load use:
 $F_n = F_{nn} \cdot \sqrt{P_r / P_a}$
 Where:
 F_n: Natural Frequency at actual load (Hz)
 F_{nn}: Nominal Natural Frequency (Hz)
 P_r: Rated load
 P_a: Actual load

Threaded versions are indicated with a "T"
 (ex. VIB3701-1T)
 Aluminum versions are indicated with an "L"
 (ex. VIB3701-1TL)

