

BUBBLE MOUNTS

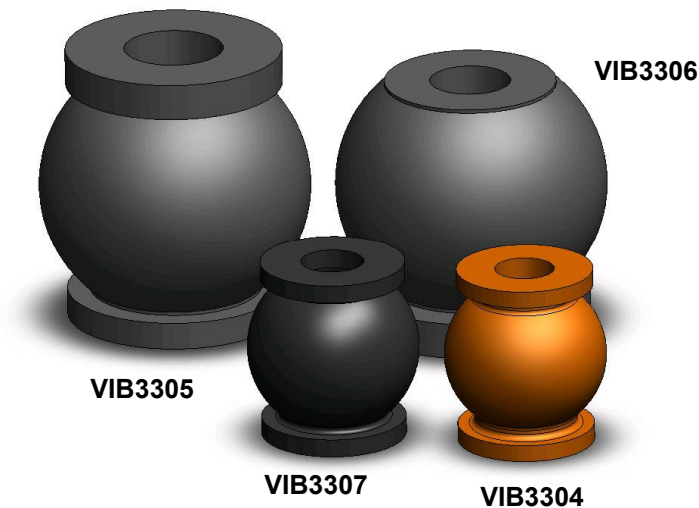
Bubble mounts are lightweight, general purpose vibration isolators for applications in electronics enclosures, industrial machinery or medical products. They are a low-cost, all elastomer solution for low and mid frequency noise and vibration applications.

Features:

- Compact, lightweight design
- All elastomer construction
- Wide load range
- Efficiently isolates vibration in all directions

Bubble mounts are available in four sizes:

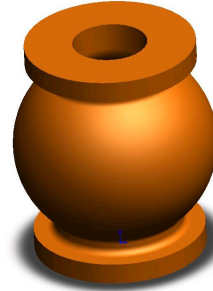
- 3304 size: 3 load ratings from 0.5 to 2 lb
- 3305 size: 4 load ratings from 3.5 to 9 lb
- 3306 size: 4 load ratings from 3.5 to 9 lb
- 3707 size: 4 load ratings from 0.6 to 3 lb



BUBBLE MOUNTS VIB3304 SERIES

PRODUCT SPECIFICATIONS

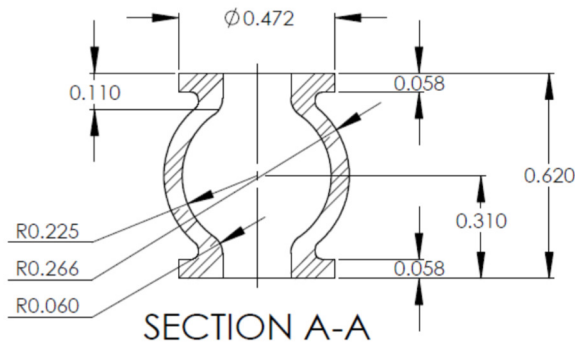
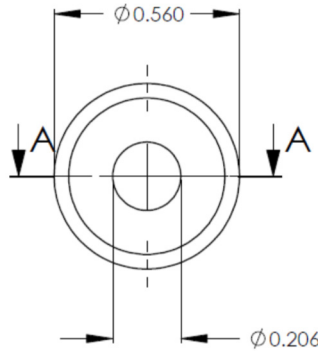
Operating Temperature: -67 to +300 F
 Maximum Transmissibility at Resonance: 4.0
 Load Capacity: 0.5 – 2.0 lb
 Axial-Radial Stiffness Ratio: 3:1
 Part Weight: 0.1 oz.
 Materials: All Elastomer



Performance Characteristics

Part Number	Static Load Range	Axial Natural Frequency	Dynamic Axial Spring Rate		Dynamic Radial Spring Rate		Color Code
	lbs		Hz	lb/in	N/mm	lb/in	
VIB3304-1	0.3—0.5	12	7.4	1.3	2.6	0.5	Red
VIB3304-2	0.5—1.0		14.7	2.6	5.1	0.9	Blue
VIB3304-3	1.0—2.0		29.4	5.2	10.2	1.8	Orange

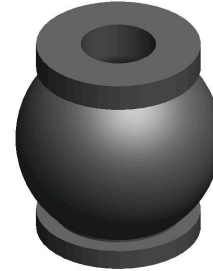
*Fn at max rated load and .036 inch DA input
 To correct for loads lower than rated load use:
 $F_n = F_{nn} \sqrt{P_r / P_a}$
 Where:
 F_n: Natural Frequency at actual load (Hz)
 F_{nn}: Nominal Natural Frequency (Hz)
 P_r: Rated load
 P_a: Actual load



BUBBLE MOUNTS VIB2305 SERIES

PRODUCT SPECIFICATIONS

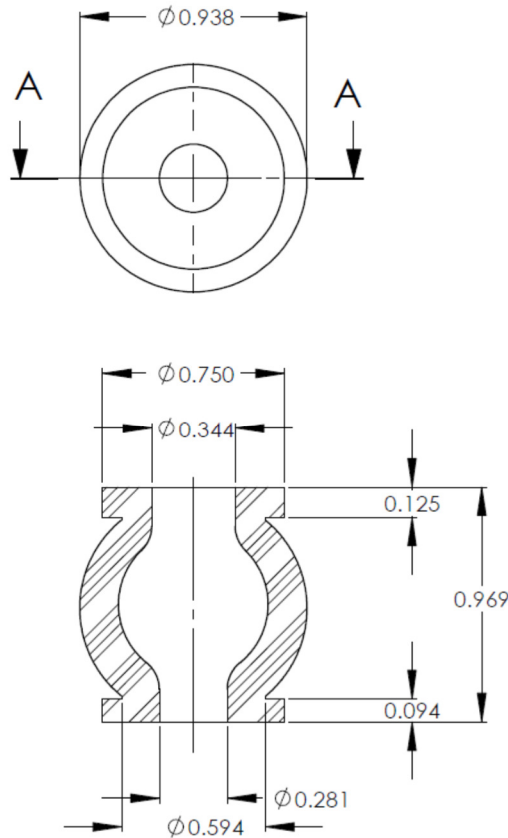
Operating Temperature: -20 to +200 F
 Maximum Transmissibility at Resonance: 10.0
 Load Capacity: 3.5 – 9 lb
 Axial-Radial Stiffness Ratio: 4:1
 Part Weight: 0.5 oz.
 Materials: All Elastomer



Performance Characteristics

Part Number	Static Load Range	Axial Natural Frequency	Dynamic Axial Spring Rate		Dynamic Radial Spring Rate		Color Code
	lbs		Hz	lb/in	N/mm	lb/in	
VIB2305-1	1.3—3.5	12	51	9.0	12.8	2.2	Yellow & White
VIB2305-2	2.3—4.5		66	11.7	16.5	2.9	Purple & White
VIB2305-3	3.0—6.0		88	15.6	22	3.9	Green & White
VIB2305-4	4.5—9.0		132	23.5	33	5.9	Blue & White

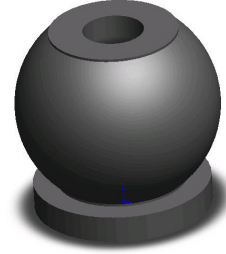
*Fn at max rated load and .036 inch DA input
 To correct for loads lower than rated load use:
 $F_n = F_{nn} \cdot \sqrt{P_r / P_a}$
 Where:
 F_n: Natural Frequency at actual load (Hz)
 F_{nn}: Nominal Natural Frequency (Hz)
 P_r: Rated load
 P_a: Actual load



BUBBLE MOUNTS VIB2306 SERIES

PRODUCT SPECIFICATIONS

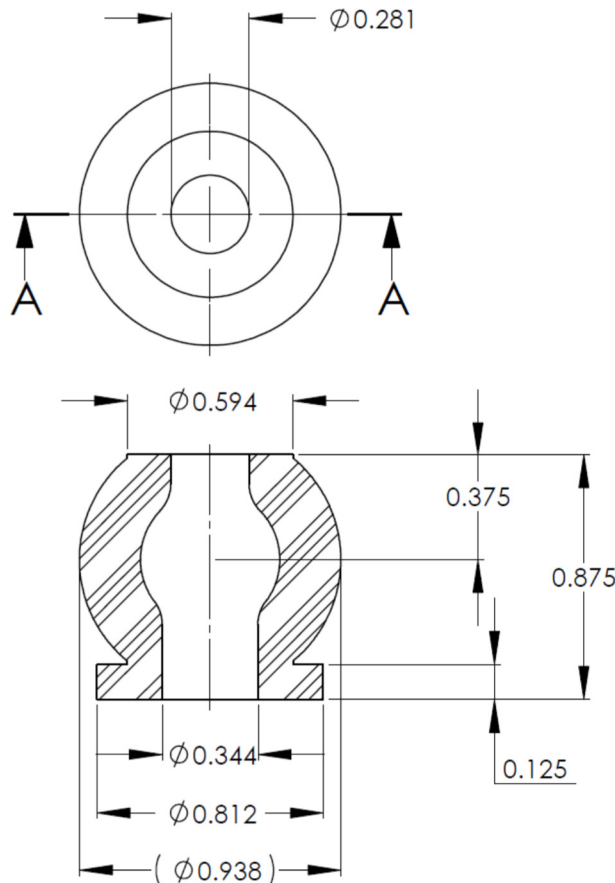
Operating Temperature: -20 to +200 F
 Maximum Transmissibility at Resonance: 10.0
 Load Capacity: 3.5 – 9 lb
 Axial-Radial Stiffness Ratio: 4:1
 Part Weight: 0.5 oz.
 Materials: All Elastomer



Performance Characteristics

Part Number	Static Load Range	Axial Natural Frequency	Dynamic Axial Spring Rate		Dynamic Radial Spring Rate		Color Code
	lbs	Hz	lb/in	N/mm	lb/in	N/mm	
VIB2306-1	1.3—3.5	12	51	9.0	12.8	2.2	Yellow & White
VIB2306-2	2.3—4.5		66	11.7	16.5	2.9	Purple & White
VIB2306-3	3.0—6.0		88	15.6	22	3.9	Green & White
VIB2306-4	4.5—9.0		132	23.5	33	5.9	Blue & White

*Fn at max rated load and .036 inch DA input
 To correct for loads lower than rated load use:
 $F_n = F_{nn} \sqrt{P_r / P_a}$
 Where:
 F_n: Natural Frequency at actual load (Hz)
 F_{nn}: Nominal Natural Frequency (Hz)
 P_r: Rated load
 P_a: Actual load



BUBBLE MOUNTS VIB2307 SERIES

PRODUCT SPECIFICATIONS

Operating Temperature: -20 to +200 F
 Maximum Transmissibility at Resonance: 10.0
 Load Capacity: 3.5 – 9 lb
 Axial-Radial Stiffness Ratio: 4:1
 Part Weight: 0.5 oz.
 Materials: All Elastomer



Performance Characteristics

Part Number	Static Load Range	Axial Natural Frequency	Dynamic Axial Spring Rate		Dynamic Radial Spring Rate		Color Code
	lbs		Hz	lb/in	N/mm	lb/in	
VIB2307-1	0.4—0.7	10	7.1	1.3	2.5	0.4	Orange & White
VIB2307-2	0.6—1.2		12.2	2.2	4.3	0.8	Red & White
VIB2307-3	0.8—1.6		16.3	2.9	5.7	1.0	Yellow & White
VIB2307-4	1.3—2.6		26.5	4.7	9.3	1.6	Green & White
VIB2307-5	1.6—3.2		32.6	5.8	11.4	2.0	Blue & White

*Fn at max rated load and .036 inch DA input
 To correct for loads lower than rated load use:
 $F_n = F_{nn} \cdot \sqrt{P_r / P_a}$
 Where:
 F_n: Natural Frequency at actual load (Hz)
 F_{nn}: Nominal Natural Frequency (Hz)
 P_r: Rated load
 P_a: Actual load

