

Hardware Solutions Contents

We make it **possible**

Front Retainers

MS14108 Type	Ruggedized Self-locking Front Retainers	GO TO PAGE
21716	Ruggedized Self-locking Front Retainer	GO TO PAGE
21953	Ruggedized Self-locking Front Retainer	GO TO PAGE
SLR1	Self-locking Front Retainer	GO TO PAGE
SLR2	Self-locking Front Retainer	GO TO PAGE
3393-001000	Lockwire Front Retainer	GO TO PAGE

Rear Retainers

91703	Spring Loaded Rear Retainer	GO TO PAGE
3098-005000	Spring Loaded Rear Retainer	GO TO PAGE

Bushing

96369	Hardened Stainless Steel Bushing	GO TO PAGE
--------------	----------------------------------	----------------------------

Hooks

430913-00901	J-Hook for LRU	GO TO PAGE
439507-01901		

Bonding Straps

885368-09804	Electrical Grounding Strap	GO TO PAGE
880749-09704		

Avionics Racking Systems

Retainer MS14108 Type

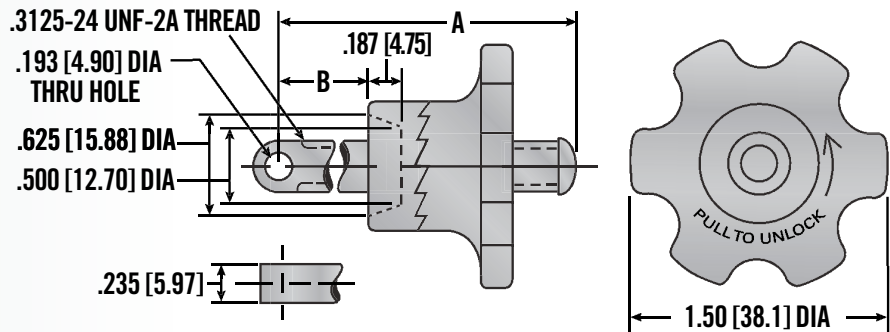
We make it **possible**

**Family of Ruggedized
Self-locking Front Retainers**
Commercial | Military | Rotary | Ground

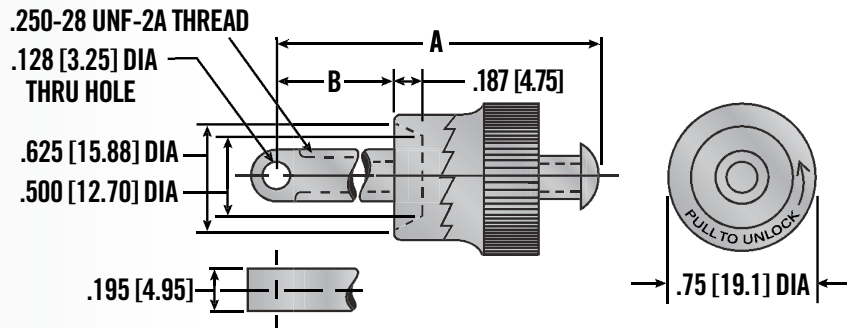


Part Number	MS Number	Weight	Material	A	B	Max Tensile Load
21716-1 without clevis	MS14108-1	2.2 oz	Stainless steel	1.88 [47.8]	1.00 [25.4]	1,750 lbs
21716-2 without clevis	MS14108-2	2.4 oz	Stainless steel	2.75 [69.9]	1.88 [47.8]	1,750 lbs
21953-1 without clevis	MS14108-3	1.5 oz	Stainless steel	1.88 [47.8]	1.00 [25.4]	1,000 lbs
21953-2 without clevis	MS14108-4	1.6 oz	Stainless steel	2.75 [69.9]	1.88 [47.8]	1,000 lbs

21716 Type



21953 Type



HUTCHINSON AEROSPACE

4510 Vanowen Street, Burbank, California 91505, U.S.A.

P 818 843 1000 | F 818 845 6978

E-mail sales.aerospace@hutchinsonna.com | www.hutchinson-NA.com

Cage Code 0WUF1



Avionics Racking Systems

Retainer 21716

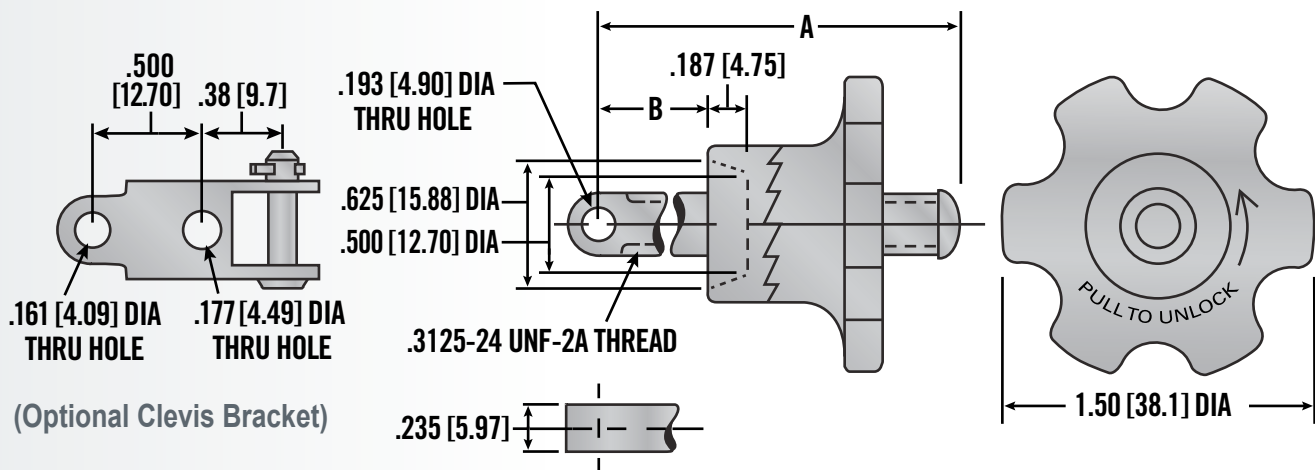
We make it **possible**

Ruggedized Self-locking Front Retainer

Commercial | Military | Rotary | Ground



Part Number	MS Number	Weight	Material	A	B	Max Tensile Load
21716-1 without clevis	MS14108-1	2.2 oz	Stainless steel	1.88 [47.8]	1.00 [25.4]	1,750 lbs
21716-2 without clevis	MS14108-2	2.4 oz	Stainless steel	2.75 [69.9]	1.88 [47.8]	1,750 lbs
21716-3 with clevis	————	2.5 oz	Stainless steel	1.88 [47.8]	1.00 [25.4]	1,750 lbs
21716-4 with clevis	————	2.7 oz	Stainless steel	2.75 [69.9]	1.88 [47.8]	1,750 lbs



HUTCHINSON AEROSPACE

4510 Vanowen Street, Burbank, California 91505, U.S.A.

P 818 843 1000 | F 818 845 6978

E-mail sales.aerospace@hutchinsonna.com | www.hutchinson-NA.com

Cage Code 0WUF1



Avionics Racking Systems

Retainer 21953

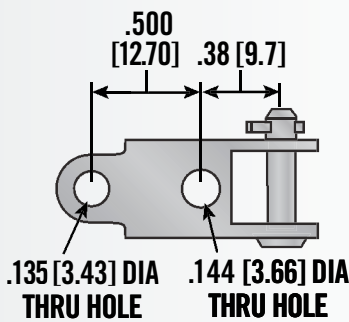
We make it **possible**

Ruggedized Self-locking Front Retainer

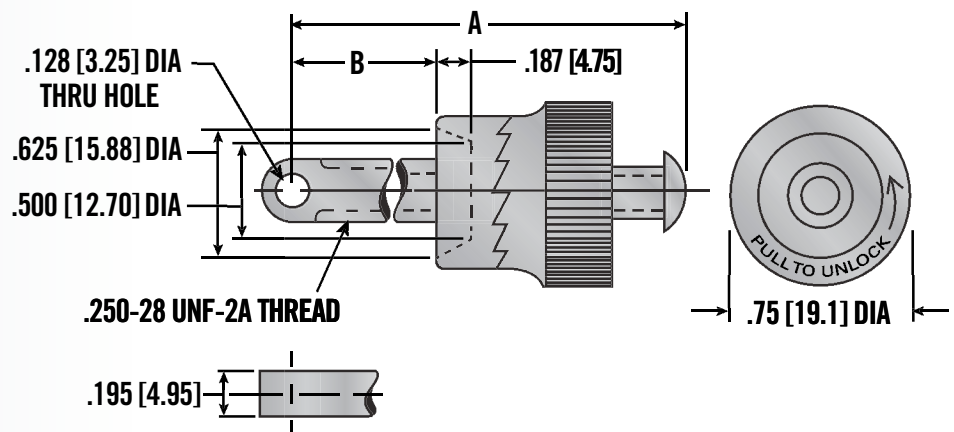
Commercial | Military | Rotary | Ground



Part Number	MS Number	Weight	Material	A	B	Max Tensile Load
21953-1 without clevis	MS14108-3	1.5 oz	Stainless steel	1.88 [47.8]	1.00 [25.4]	1,000 lbs
21953-2 without clevis	MS14108-4	1.6 oz	Stainless steel	2.75 [69.9]	1.88 [47.8]	1,000 lbs
21953-3 with clevis	————	1.7 oz	Stainless steel	1.88 [47.8]	1.00 [25.4]	1,000 lbs
21953-4 with clevis	————	1.8 oz	Stainless steel	2.75 [69.9]	1.88 [47.8]	1,000 lbs



(Optional Clevis Bracket)



HUTCHINSON AEROSPACE

4510 Vanowen Street, Burbank, California 91505, U.S.A.

P 818 843 1000 | F 818 845 6978

E-mail sales.aerospace@hutchinsonna.com | www.hutchinson-NA.com

Cage Code 0WUF1



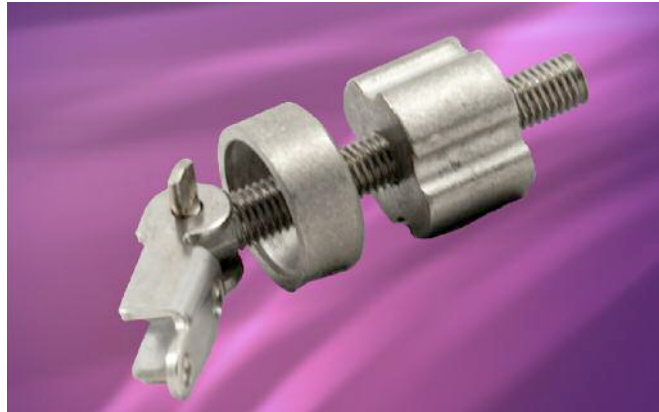
Avionics Racking Systems

Retainer SLR1

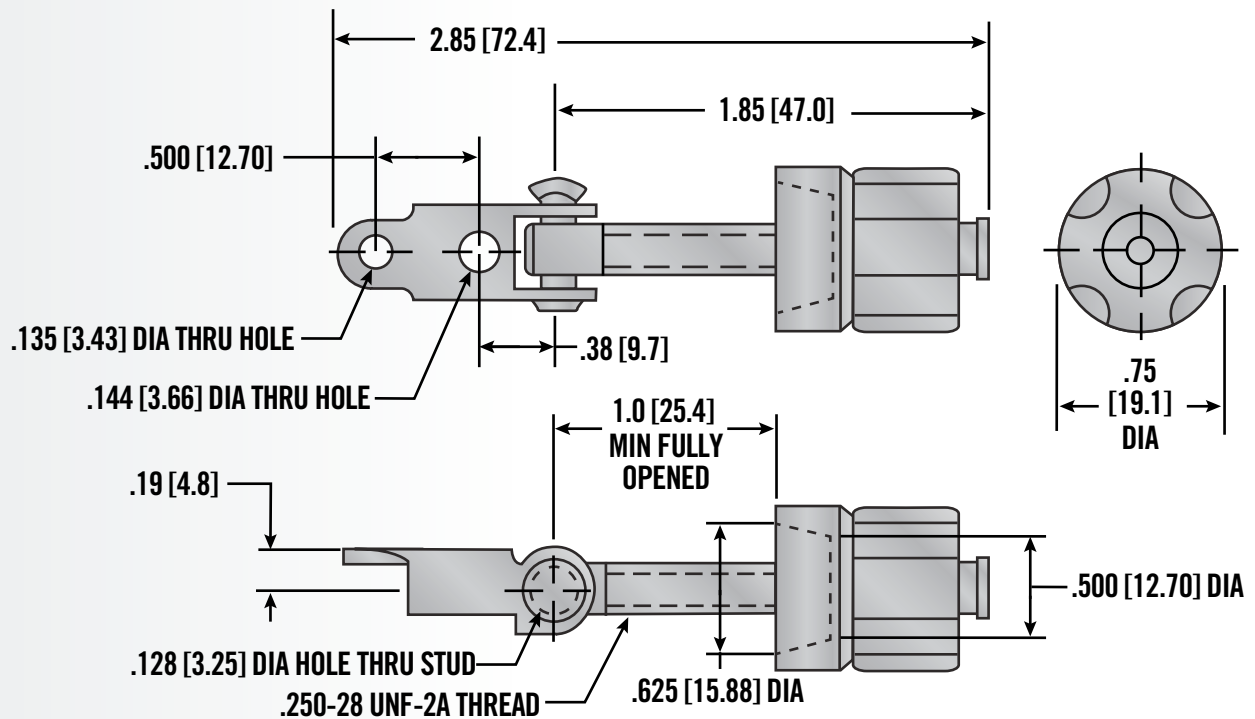
We make it **possible**

Self-locking Front Retainer

Commercial | Military | Rotary | Ground



Part Number	Weight	Material	Max Tensile Load
SLR1-AB with clevis & pin	1.6 oz	All stainless steel	1,000 lbs
SLR1-BB without clevis & pin	1.4 oz	All stainless steel	1,000 lbs



HUTCHINSON AEROSPACE

4510 Vanowen Street, Burbank, California 91505, U.S.A.

P 818 843 1000 | F 818 845 6978

E-mail sales.aerospace@hutchinsonna.com | www.hutchinson-NA.com

Cage Code 0WUF1



Avionics Racking Systems

Retainer SLR2

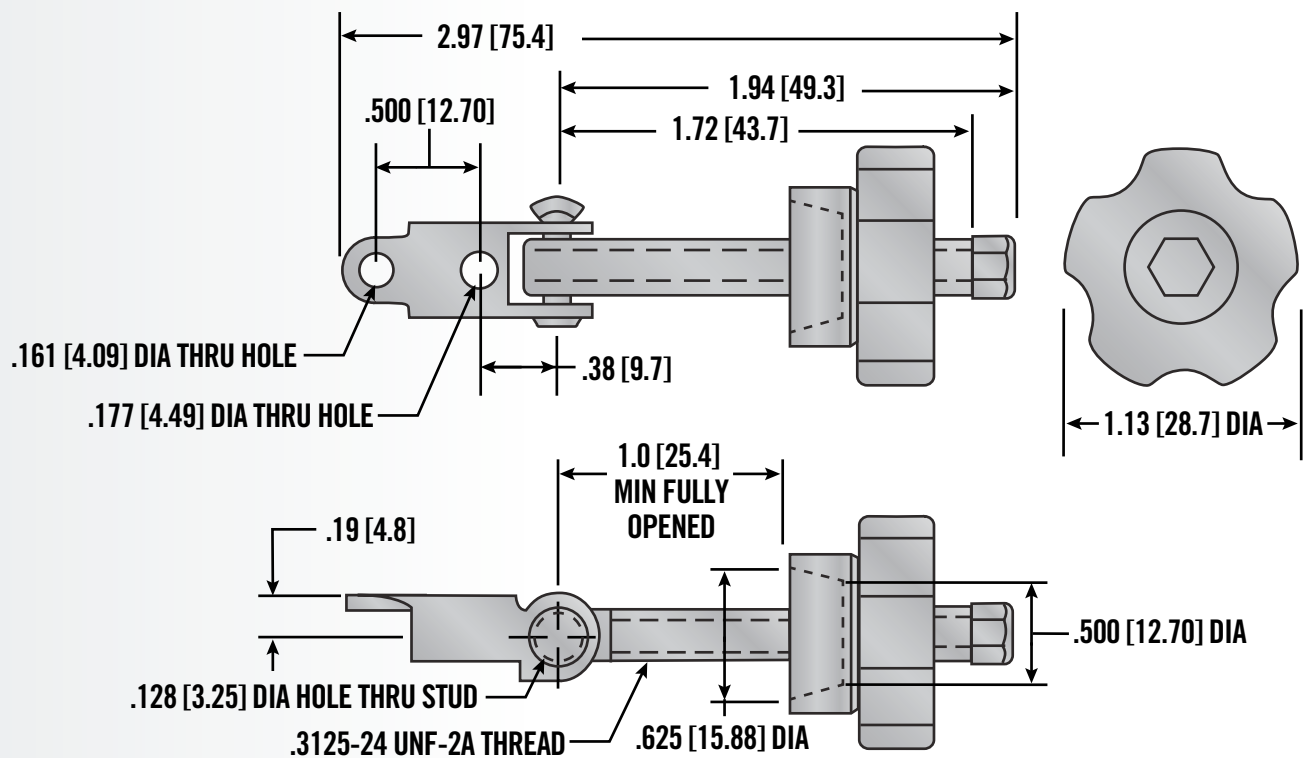
We make it **possible**

Self-locking Front Retainer

Commercial | Military | Rotary | Ground



Part Number	Weight	Material	Max Tensile Load
SLR2-AB with clevis & pin	1.6 oz	Stainless steel with aluminum knob	1,500 lbs
SLR2-BB without clevis & pin	1.4 oz	Stainless steel with aluminum knob	1,500 lbs



HUTCHINSON AEROSPACE

4510 Vanowen Street, Burbank, California 91505, U.S.A.

P 818 843 1000 | F 818 845 6978

E-mail sales.aerospace@hutchinsonna.com | www.hutchinson-NA.com

Cage Code 0WUF1



Avionics Racking Systems

Retainer

3393-001000

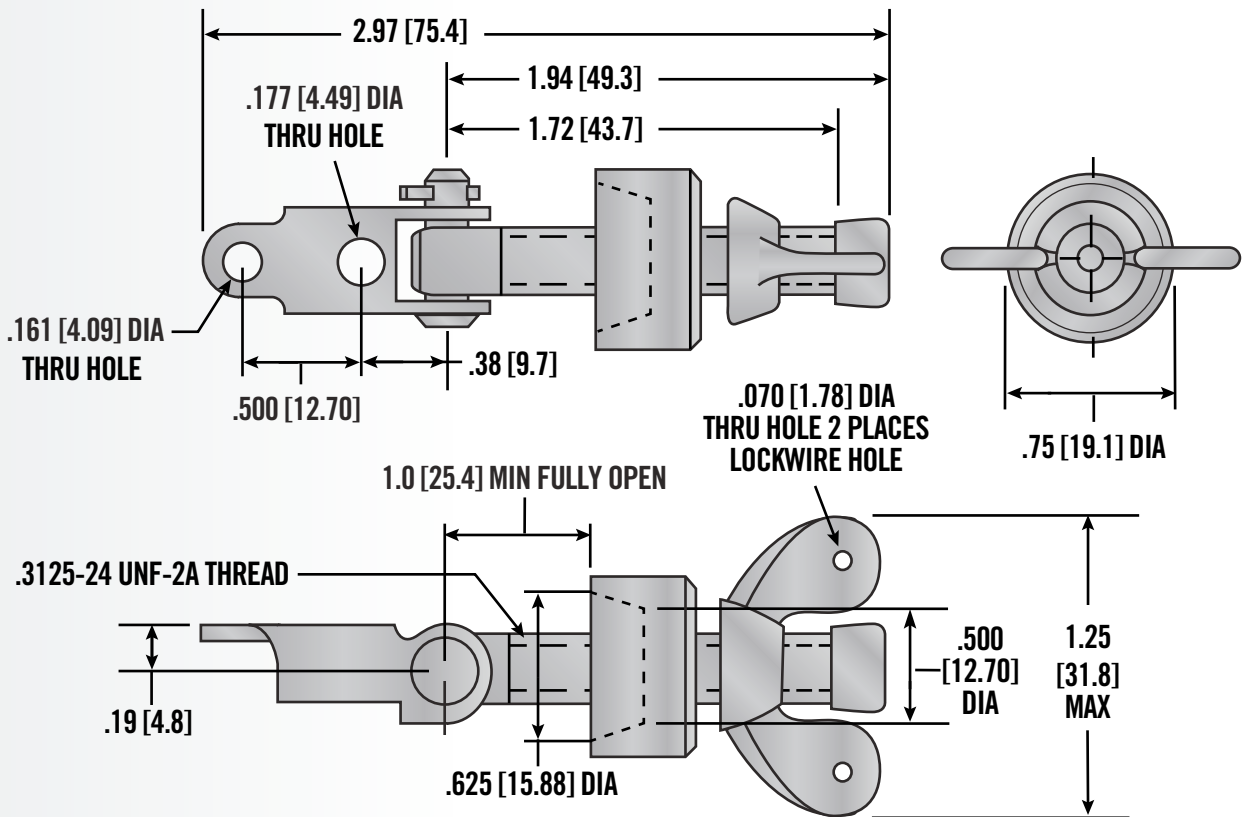
We make it **possible**

Lockwire Front Retainer

Commercial | Military | Rotary | Ground



Part Number	Weight	Material	Max Tensile Load
3393-001000	1.6 oz	Stainless steel with cadmium plated steel wing nut	1,750 lbs



HUTCHINSON AEROSPACE

4510 Vanowen Street, Burbank, California 91505, U.S.A.

P 818 843 1000 | F 818 845 6978

E-mail sales.aerospace@hutchinsonna.com | www.hutchinson-NA.com

Cage Code 0WUF1



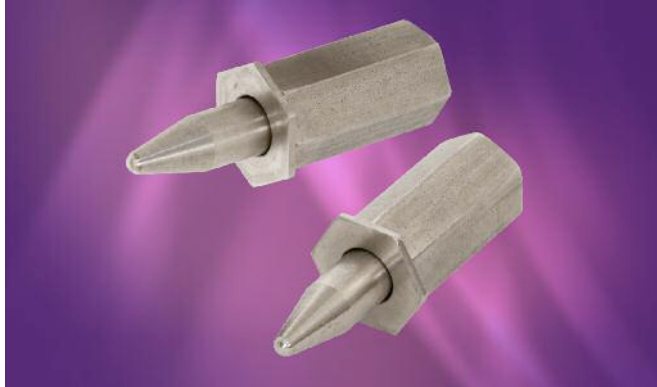
Avionics Racking Systems

Rear Retainer 91703

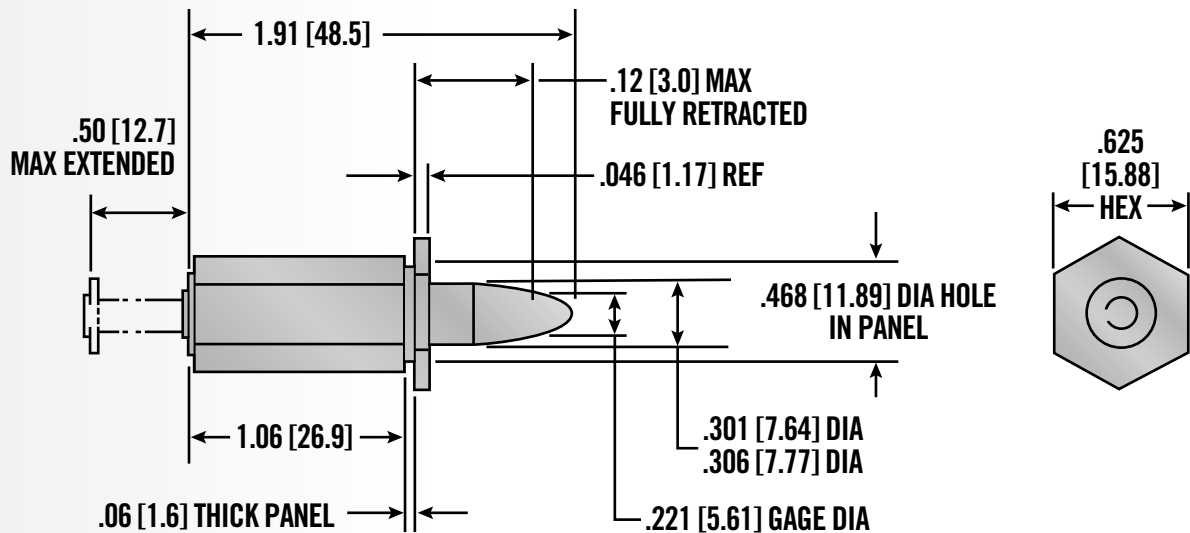
We make it **possible**

Spring Loaded Rear Retainer

Commercial | Military | Rotary | Ground



Part Number	Weight	Material
91703-1	1.0 oz	Stainless steel



HUTCHINSON AEROSPACE

4510 Vanowen Street, Burbank, California 91505, U.S.A.

P 818 843 1000 | F 818 845 6978

E-mail sales.aerospace@hutchinsonna.com | www.hutchinson-NA.com

Cage Code 0WUF1



Avionics Racking Systems

Rear Retainer 3098-005000

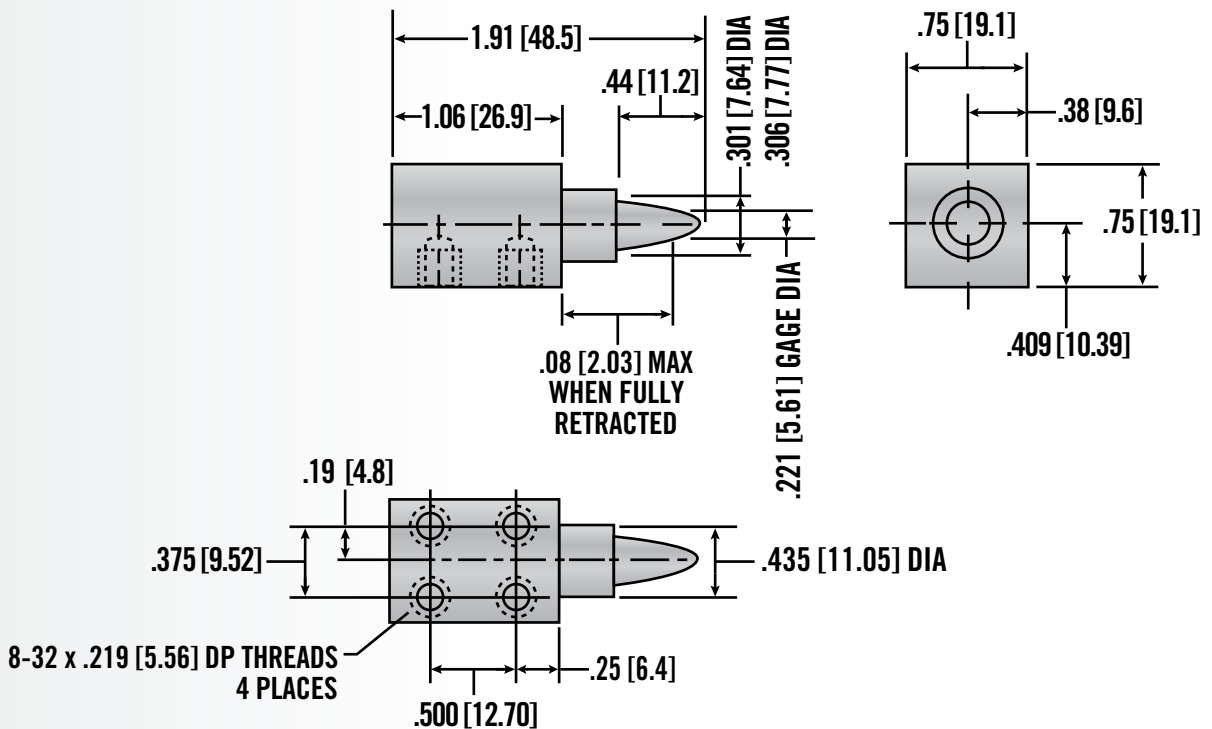
We make it **possible**

Spring Loaded Rear Retainer
Commercial | Military | Rotary | Ground



Part Number	Weight	Material
3098-005000	1.5 oz	Stainless steel with aluminum block

PN 3098-005-000 is now 3098-005000



HUTCHINSON AEROSPACE

4510 Vanowen Street, Burbank, California 91505, U.S.A.

P 818 843 1000 | F 818 845 6978

E-mail sales.aerospace@hutchinsonna.com | www.hutchinson-NA.com

Cage Code 0WUF1



Avionics Racking Systems

Bushing 96369

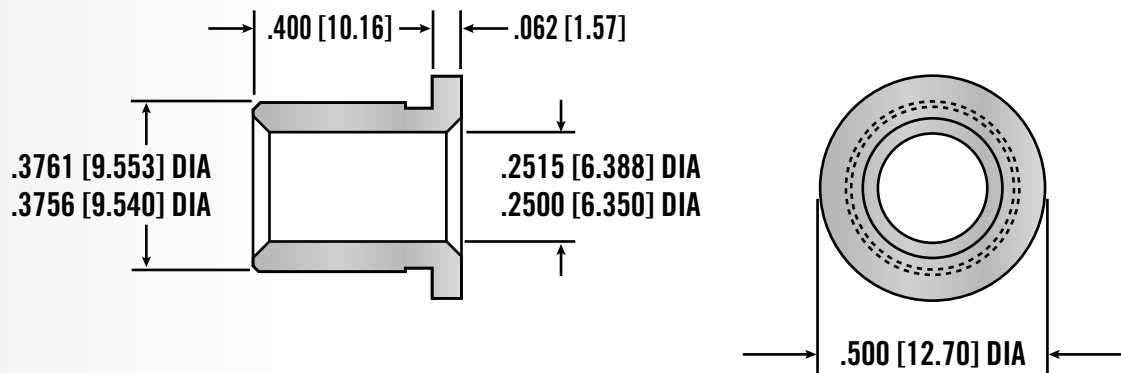
We make it **possible**

Hardened Stainless Steel Bushing

Commercial | Military | Rotary | Ground



Part Number	Weight	Material
96369-1	4 grams	17-4 Stainless steel cadmium plated



HUTCHINSON AEROSPACE

4510 Vanowen Street, Burbank, California 91505, U.S.A.

P 818 843 1000 | F 818 845 6978

E-mail sales.aerospace@hutchinsonna.com | www.hutchinson-NA.com

Cage Code 0WUF1



Avionics Racking Systems

Hook

430913-00901

439507-01901

We make it **possible**

J-Hook for LRU

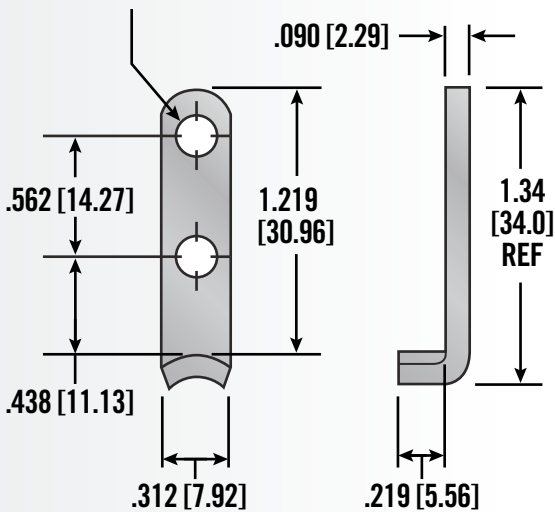
Commercial | Military | Rotary | Ground



Part Number	Weight	Material
430913-00901	4 grams	Stainless steel
439507-01901	9 grams	Stainless steel

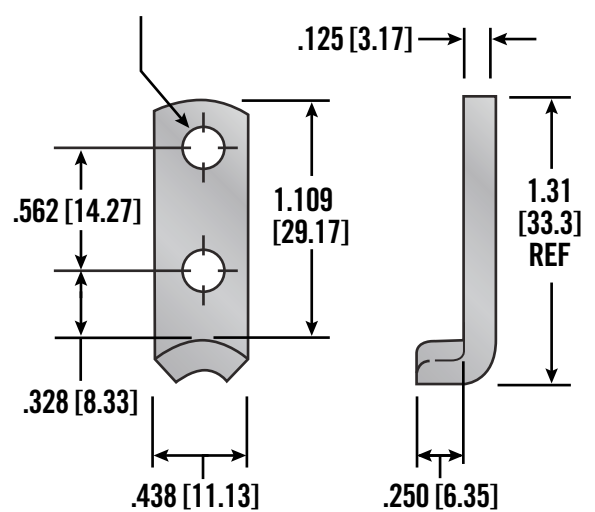
430913-00901

.182 [4.62] DIA THRU 2 HOLES



439507-01901

.182 [4.62] DIA THRU 2 HOLES



HUTCHINSON AEROSPACE

4510 Vanowen Street, Burbank, California 91505, U.S.A.

P 818 843 1000 | F 818 845 6978

E-mail sales.aerospace@hutchinsonna.com | www.hutchinson-NA.com

Cage Code 0WUF1



Avionics Racking Systems

Bonding Strap

885368-09804

880749-09704

We make it **possible**

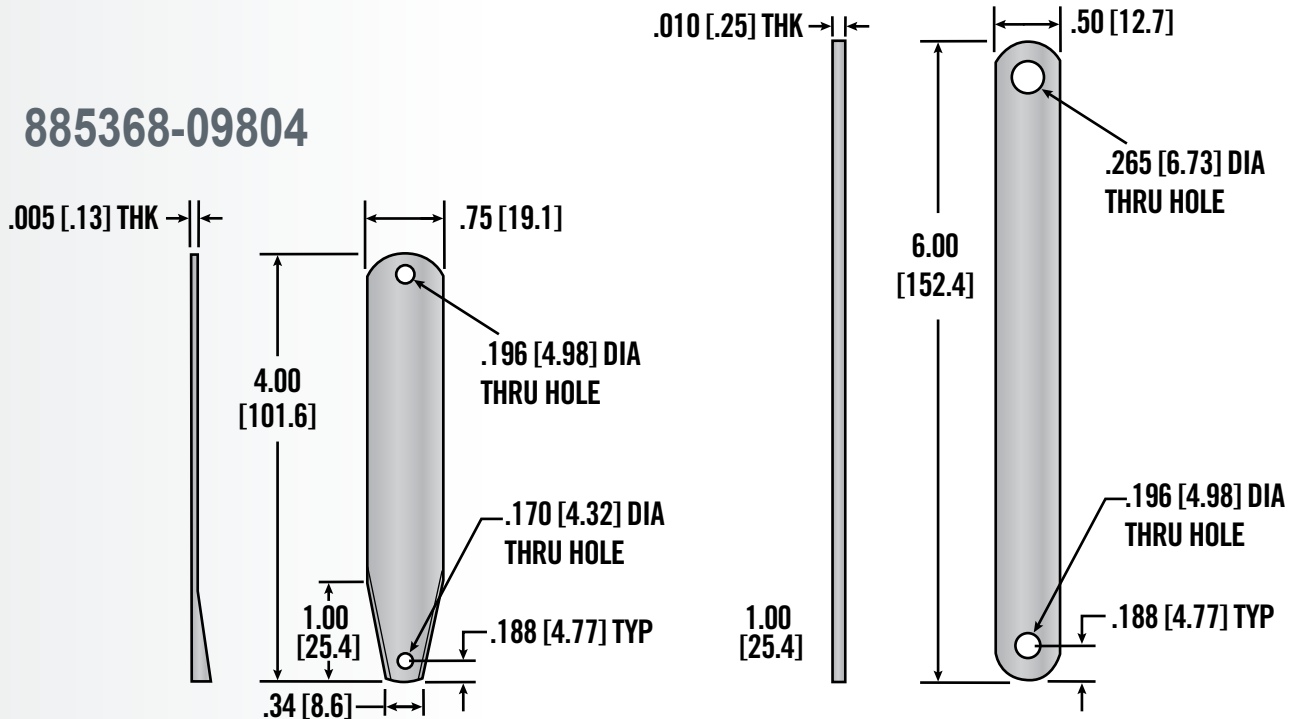
Electrical Grounding Strap
Commercial | Military | Rotary | Ground



Part Number	Weight	Material
885368-09804	3 grams	Phosphor bronze
880749-09704	3 grams	Phosphor bronze

880749-09704

885368-09804



HUTCHINSON AEROSPACE

4510 Vanowen Street, Burbank, California 91505, U.S.A.

P 818 843 1000 | F 818 845 6978

E-mail sales.aerospace@hutchinsonna.com | www.hutchinson-NA.com

Cage Code 0WUF1

