

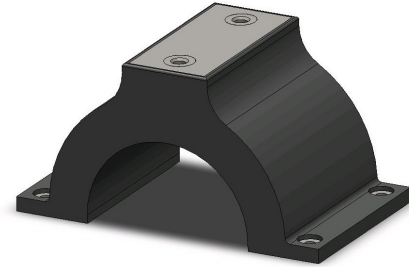
# VIB804 HIGH DEFLECTION MOUNT

## PRODUCT SPECIFICATIONS

Operating Temperature: -67 to +180 F (Extended Service Blend)  
 -20 to +180 F (Neoprene)

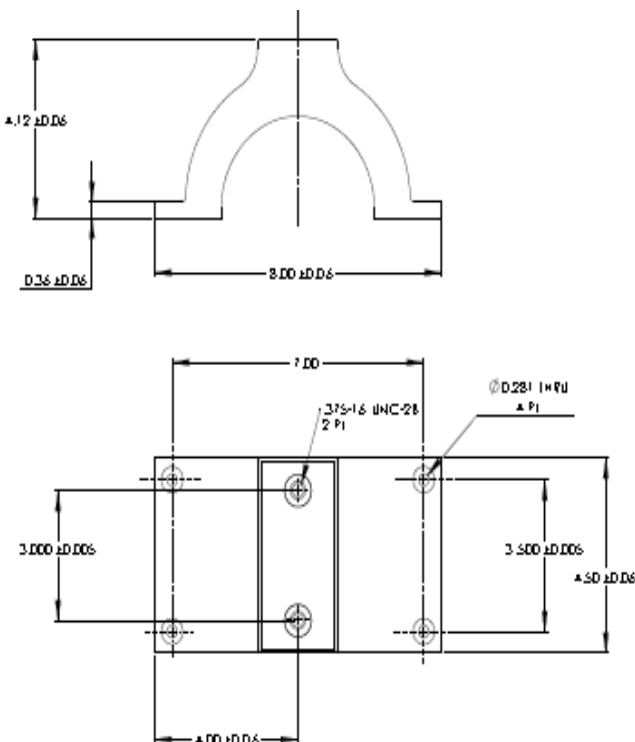
Maximum Transmissibility at Resonance: 5.0 (ESB)  
 10.0 (Neoprene)

Load Capacity: 45 – 145 lb  
 Axial-Radial Stiffness Ratio: 2:1  
 Part Weight: 4.0 lbs  
 Materials: Plates: Steel per ASTM A1008, painted



## Performance Characteristics

Load Rating (lb)	Part No. Neoprene	Part No. ESB	Axial Natural Frequency	Dynamic Axial Spring Rate		Dynamic Radial Spring Rate		*Fn at max rated load and .036 inch DA input To correct for loads lower than rated load use: $F_n = F_{nn} * \sqrt{P_r / P_a}$ Where: F <sub>n</sub> : Natural Frequency at actual load (Hz) F <sub>nn</sub> : Nominal Natural Frequency (Hz) P <sub>r</sub> : Rated load P <sub>a</sub> : Actual load
			Hz	lb/in	N/mm	lb/in	N/mm	
45	VIB2804-1	VIB7804-1	12	661	118	330	59	
70	VIB2804-2	VIB7801-2		1030	184	515	92	
100	VIB2804-3	VIB7804-3		1470	262	735	131	
145	VIB2804-4	VIB7804-4		2130	380	1065	190	



## Typical Axial Load-Deflection

